

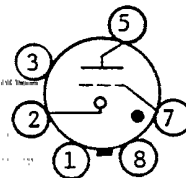


NL2040 SERIES GAS TRIODE

THE NL-2040 IS AN EXTREMELY LONG LIFE COLD CATHODE SELF INDICATING ON/OFF SWITCH. UPON TOUCH BY A FINGER, IT GLOWS AND INDICATES THE ON POSITION. IT IS EXTENSIVELY USED AS INDICATORS ON ELEVATOR (LIFT) CALL BUTTONS. THE SWITCH IS EASILY ADAPTABLE TO ANY OTHER FUNCTIONS REQUIRING EASY HUMAN INTERFACE WITH ELECTRICAL/ELECTRONIC EQUIPMENT.

MAXIMUM OVERALL LENGTH 2-3/8"
 MAXIMUM SEATED HEIGHT 1-3/4 ± 1/16"
 MAXIMUM DIAMETER 1-5/16"
 BULB T-9
 BASE INTERMED SH. OCTAL 6-PIN

- PIN 1 - NO CONNECTION
- PIN 2 - CATHODE
- PIN 3 - NO CONNECTION
- PIN 5 - ANODE
- PIN 7 - GRID
- PIN 8 - NO CONNECTION
- - GAS TUBE TYPE



Bottom View
(G-4V)

MOUNTING POSITION ANY
 (THE NL2040 CONTAINS KRYPTON 85 GAS (MAX. LEVEL 0.3 µCi) WHICH IS ADDED TO PROVIDE IONIZATION STABILITY.)

CHARACTERISTICS

PEAK ANODE BREAKDOWN VOLTAGE (GRID TIED TO CATHODE)	180	MIN. VOLTS
PEAK POSITIVE GRID BREAKDOWN VOLTAGE	66	MIN. VOLTS
	86	MAX. VOLTS
D-C ANODE EXTINCTION VOLTAGE	73	APPROX. VOLTS
GRID CURRENT (FOR TRANSITION OF DISCHARGE TO ANODE)	50	MAX. µAMP
ANODE VOLTAGE-DROP @ 18MA	2040-0 = 70	VOLTS
	2040-1 = 71	VOLTS
	2040-2 = 72	VOLTS
	2040-3 = 73	VOLTS
GRID VOLTAGE-DROP	55	MIN. VOLTS
	69	MAX. VOLTS

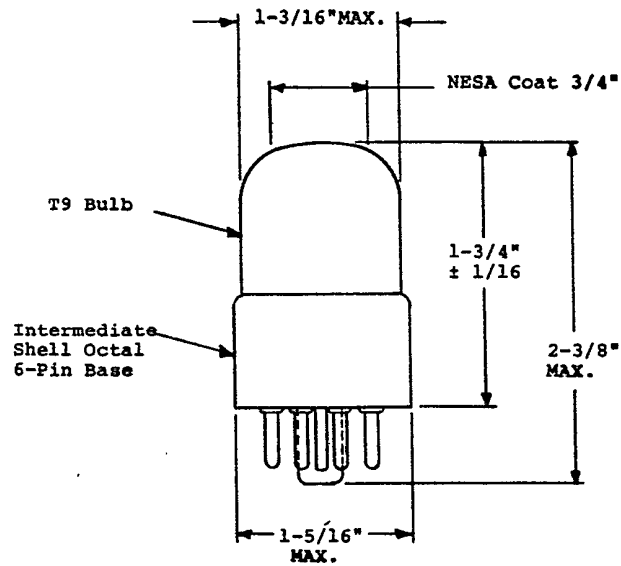
MAXIMUM RATINGS

PEAK CATHODE CURRENT	100	MAX. MA
D-C CATHODE CURRENT	25	MAX. MA

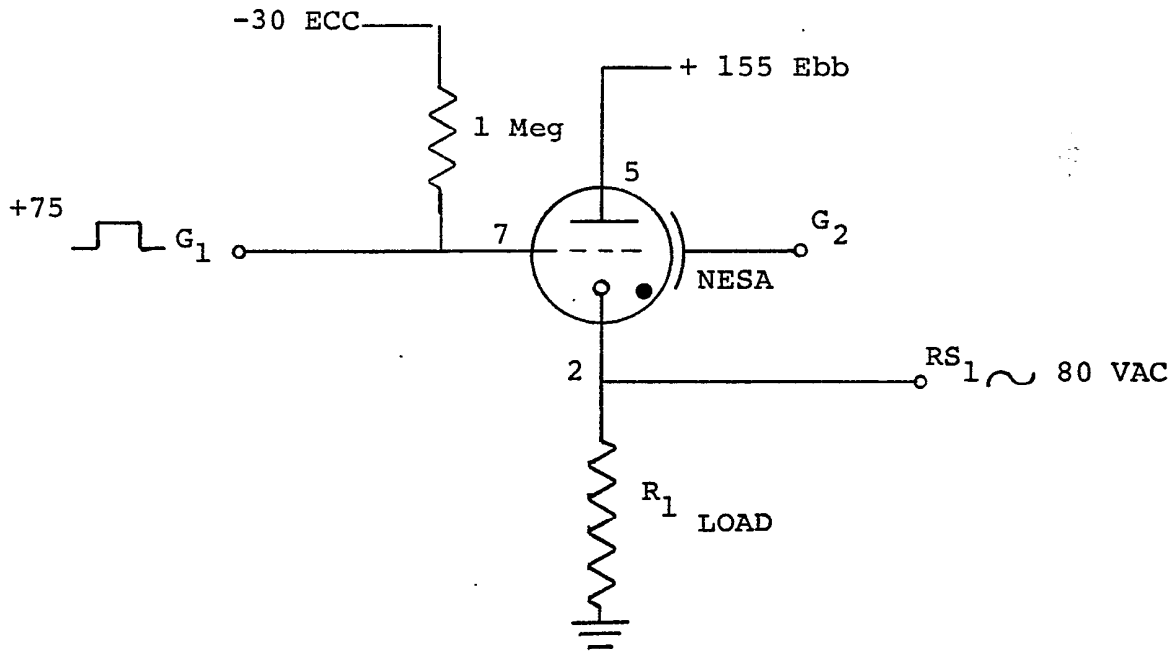
NATIONAL ELECTRONICS

A Division of Richardson Electronics, Ltd.

LaFox, IL 60147 • (312) 208-2300



TYPICAL TRIGGERED CIRCUIT



- R₁ Load limit 18 mA typ
- G₁ Grid Breakdown 25 μ A typ
- G₂ Static Touch start
- RS₁ "Reset" reduce Anode Potential to less than Voltage Drop and G₁ (Pin 2)